

## restrictors // safety stay

### // product features

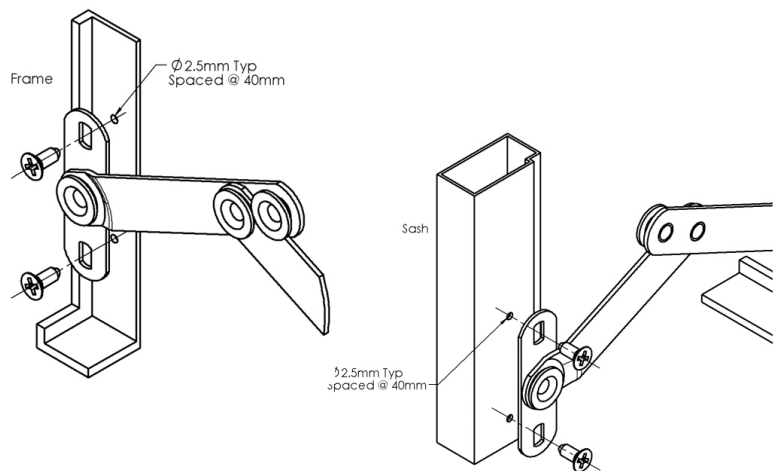
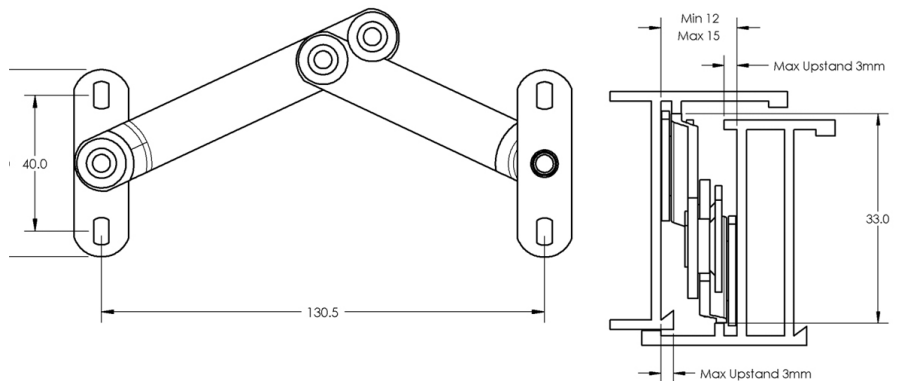
- Concealed restrictor provides secure ventilation for both casement and awning applications
- Patented Interlock friction joints allow for application of additional screws
- No sliding elements ensures smooth operation and zero maintenance
- Spacers available for larger window cavities

### // product specifications

- 130 mm (5") radius length
- Opening of window determined through placement of restrictor

### // materials & finishes

- All stainless steel construction
- Composite bearings



## |||| restrictors // 270 mm adjustable

### // product features

- Non-releasable restrictor for casement windows
- Allows ventilation with a degree of security – particularly in multi-story applications
- Smooth operation using a plastic carriage manufactured from nylon
- Can be used in conjunction with a friction hinge, butt hinge or continuous hinge
- Can also be used as a friction adjuster or a restrictor device
- The restrictor is invisible when the window is closed as it is installed in the cavity

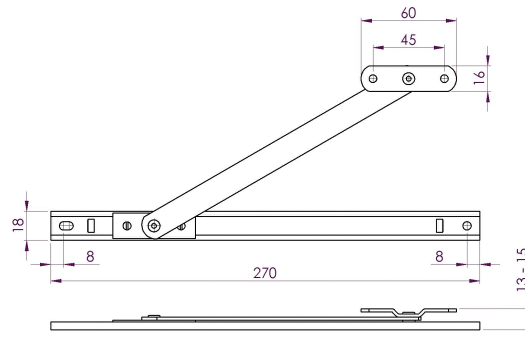
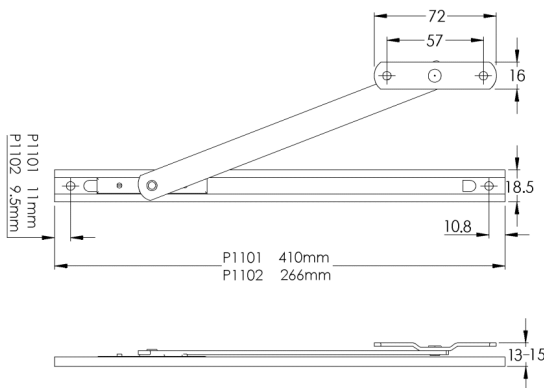


### // product specifications

- 270 mm (10") in length
- Opening of window determined through placement of restrictor

### // materials & finishes

- All stainless steel construction
- Composite bearings



# INTERLOCK

# ASSA ABLOY

## |||| restrictors // ultimate one

### // product features

- Controls the opening of the sash throughout the opening movement
- Safety activating mechanism permits one way opening travel only
- Counters possible violent over-opening of the sash
- Prevents buckling of support arms

### // product specifications

- 270 mm (10") in length

### // materials & finishes

- Stainless steel track, arm, and sash bracket
- Zinc slide
- Composite end caps

