



Hahn Rollenband GP

Universal 2D Hinge for Traditional Flush Mounted Door Profiles



The First Universal 2D Hinge for Traditional Flush Mounted Door Profiles

Germany's leading manufacturer of hinges for metal and vinyl doors has developed a groundbreaking solution for the North American market. The first of its kind, the **Hahn Rollenband GP** is a universal, four-way adjustable hinge designed specifically for a flush-mounted door profile. Combining innovative design, German engineering, and state-of-the-art materials, the **Hahn Rollenband GP** delivers ease-of-use and flexibility, as well as superior performance and reliability. A truly universal and hassle-free solution, the hardware is designed for use with no separate set and guide hinges, no left or right handing, and therefore, no need for extensive inventory.

Easy installation

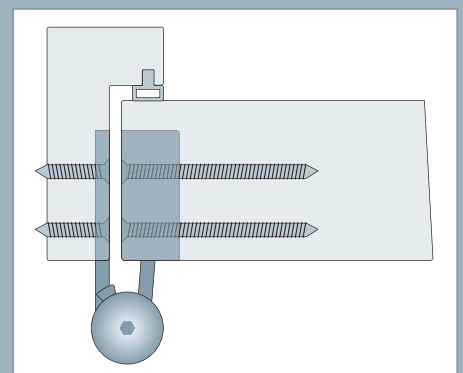
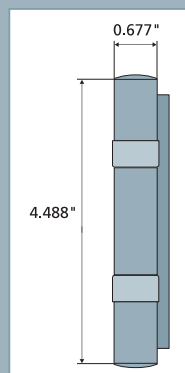
The **Hahn Rollenband GP** is designed for quick, easy installation. Hinge leaves come with standard 15.88 mm [0.625"] radius corners. Cutting depth is 3.5 mm [0.138"] on the frame side and 15 mm [0.590"] on the sash side. Just mill your frame and sash profile in accordance to the production drawings and mount the hinges. Assembly is simple with color-matched stainless steel mounting screws, while the hole pattern in the frame and sash leaf eliminates any potential for the hardware to collide.

Comfortable handling

Designed for convenient, easy transport on the job site, the **Hahn Rollenband GP** has a removable hinge pin and variable bearing sleeves. The bearing sleeves can be pushed apart, simplifying the hinging and unhinging process – thereby eliminating the need to remove any mounting screws. Additionally, the bearing sleeves are made of a high-quality synthetic material, making them absolutely maintenance free.

Security

For optimum security, the **Hahn Rollenband GP** uses an innovative design to secure the hinge pin. A plate slider which can only be removed when the door is in an open position holds the hinge pin in place and secures it against unwanted removal – a feature that is especially beneficial on out-swing doors.





Hahn Rollenband GP

Adjustability

The **Hahn Rollenband GP** has a vertical adjustment feature regulated by a rising spindle situated in the hinge knuckle, allowing for continuous height adjustment of ± 3 mm [± 0.118 "] while the door is closed. For added convenience, a scale on the hinge allows you to monitor your progress during installation. The variable bearing sleeves are designed to move with the adjustment, ensuring that no gap is revealed, even when utilizing the maximum adjustment travel. The horizontal adjustment of ± 3 mm [± 0.118 "] is regulated by an innovative mechanism that will not deteriorate over time, ensuring that seasonal adjustment of even heavier doors will not be an issue.

Truly Universal

With no separate set and guide hinges, no left or right handing, and no need for extensive inventory, the **Hahn Rollenband GP** is a truly universal and hassle-free solution for traditional flush-mounted door profiles. Featuring an interchangeable rising spindle to accommodate either a left- or right-handed door, in addition to horizontal and vertical adjustment capabilities on every hinge, the solution is engineered to readily fit a variety of applications. Simply use the bottom hinge for the main height adjustment and readjust the remaining hinges to evenly distribute the weight. Only two Allen key sizes are required for the adjustments.

Exceptional Quality in Material and Design

Available in standard brushed stainless steel, most architectural finishes, and several powdercoated finishes, the **Hahn Rollenband GP** is a key differentiator for North American door manufacturers – adding modern design, greater aesthetic value, and superior quality to a flush-mounted door profile. A small knuckle diameter of approximately 17.2 mm [0.677"], combined with an overall length of 115 mm [4.528"], gives the hinge an elegant and understated appearance on the application, while the stainless steel (AISI 304) base material ensures high corrosion resistance.

Distribution

The **Hahn Rollenband GP** will be exclusively distributed by Interlock USA in the North American market:

Interlock USA, Inc.
1105 South Rock Blvd.
Suite 120–123
Reno, NV 89502
www.interlockna.com
Phone: 877-852-8808

Product Specifications

- Universal 2D hinge for traditional flush mounted door profiles
- Base Material:
Stainless steel (AISI 304)
- Mounting Screws:
Stainless steel screws included
(#10 ANSI wood screws)
- Load Capacity:
Maximum load capacity–90 kg [198 lbs]
- Adjustability:
Horizontal ± 3 mm [± 0.118 "]
Vertical ± 3 mm [± 0.118 "]
- Finishes:
Standard brushed stainless steel
Most common architectural finishes
Several powdercoated finishes

Dr. Hahn Corp.

3819 NE 15th Avenue · OR 97212 Portland
Cell +1-207-318-6838 · Phone +1-503-477-4485 · E-Mail north.america@dr-hahn.com

Headquarter

Dr. Hahn GmbH & Co. KG · Trompeterallee 162–170 · D-41189 Mönchengladbach
Phone +49(0)2166-954-3 · Fax +49(0)2166-954-444 · E-Mail sales@dr-hahn.com