

INTERLOCK

ASSA ABLOY

|||| securichain

// product features

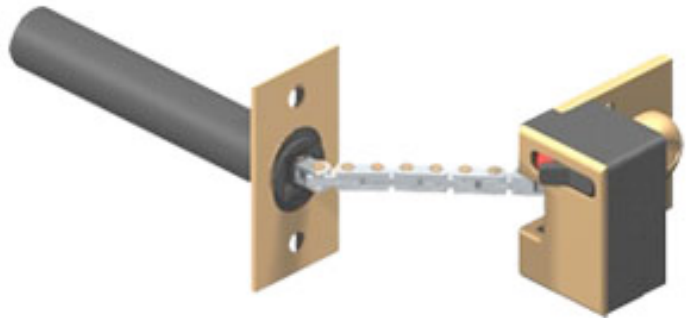
- A security device for use with standard hinged, inward opening swing doors
- Designed for residential or hotel applications, Securichain enables safe viewing before greeting visitors
- Easy to install, simple to use

// product specifications

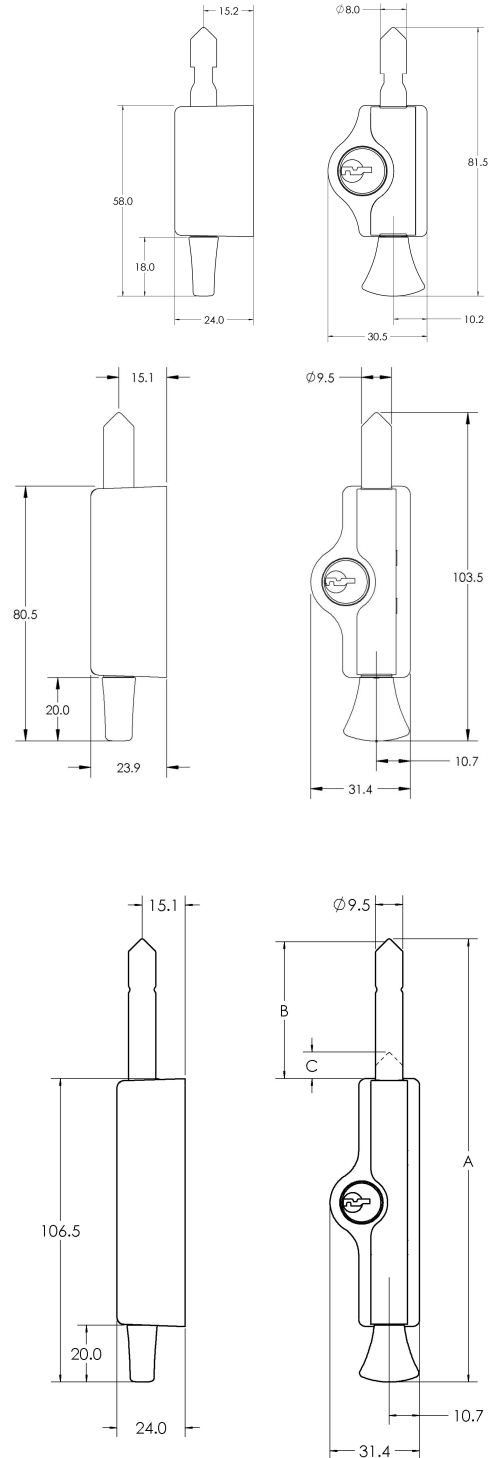
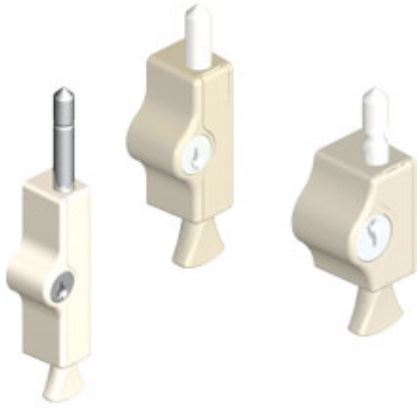
- For use with swing doors with a minimum thickness of 30 mm (1.2")

// materials & finishes

- Available in powdercoated and plated finishes
- Chain is plated steel
- Housing is Zinc Alloy and composite



patio bolts



// product features

- Deadlocking heavy gauge bolt for use with sliding or hinged doors
- Available in three sizes
- Designed for wood, vinyl or aluminum applications
- Shoot bolt secured in place but can be removed if required
- Three-pin or five-pin compatible high security key locking
- Easy to install

// product specifications

- The security bolts have a 9.5 mm (3/8") plated steel bolt

// materials & finishes

- Bolts are available in powdercoat and select plated finishes
- Locking bolt is nickel plated steel

| | A - Bolt length | B - Bolt thrown length | C - Bolt unthrown length |
|---------------|-----------------|------------------------|--------------------------|
| Standard bolt | 155.5mm | 50mm | 9.5mm |
| Extended bolt | 185.5mm | 80mm | 39.5mm |

flush bolts

// product features

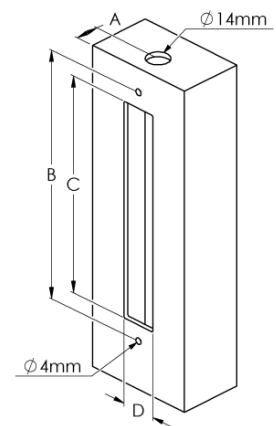
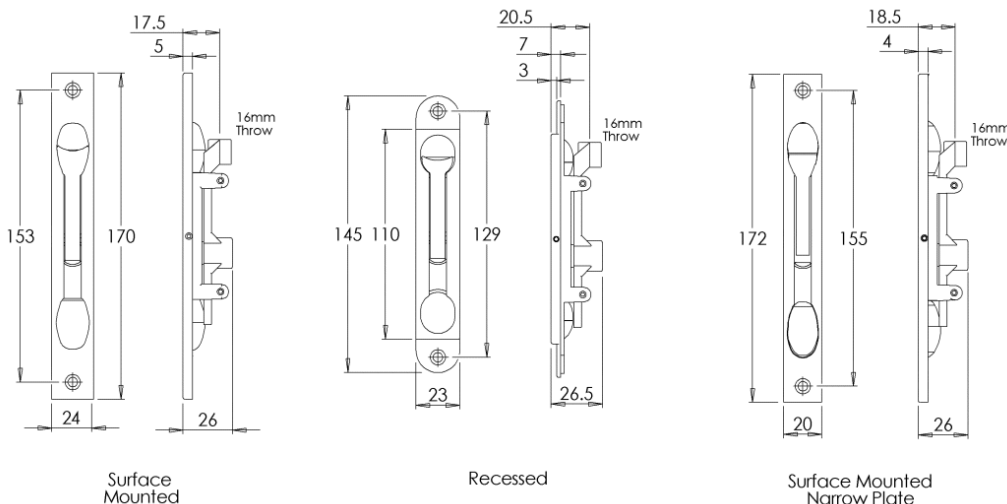
- 7 mm (1/4") diameter plated steel rod provides security and is activated by a die-cast zinc body and operating lever with comfortable finger grip
- Surface-mounted model with standard width face plate, can be mounted either on the face or on the leading edge of a door stile
- Surface-mounted narrow face plate is suitable for bi-fold windows as well as doors because of its smaller lines
- Recessed model has a shorter overall length and is recessed into a door stile to give a smooth, flush appearance
- Sizes and types to suit both doors and windows

// product specifications

- All flush bolts are supplied as standard with a 300 mm (12") rod threaded for 150 mm (6") along its length, enabling the rod to be factory trimmed to suit varying door/window heights
- A rod guide is also supplied for fitting inside the door/window frame
- A 600 mm (24") rod option is also available

// materials & finishes

- Bolts are available in powdercoat and select plated finishes



| | A | B | C | D |
|------------------------------|-------|-----|-----|----|
| P3512 Surface Mounted | 13 | 153 | 120 | 19 |
| P3513 Recess Mounted | 17.5* | 129 | 110 | 23 |
| P3514 Surface Mounted Narrow | 15 | 155 | 120 | 18 |

* Measured from inside of extrusion